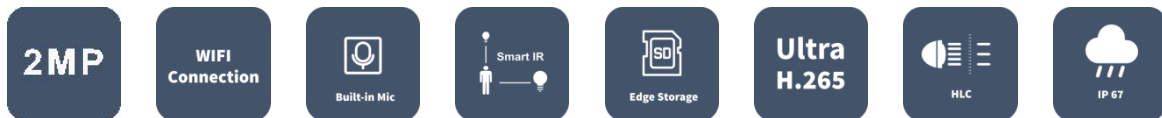


2MP WIFI Fixed Dome Network Camera

IPC322LB-AF28WK-G



Key Features



Optics

- High quality image with 2MP, 1/2.9"CMOS sensor
- 2MP (1920*1080)@30/25fps; 720P (1280*720)@30/25fps
- Ultra 265, H.265, H.264, MJPEG
- Built-in Mic
- Smart IR, up to 30m (98ft) IR distance
- Supports 128 G Micro SD card
- IK10 vandal resistant
- IP67 protection
- 3-Axis

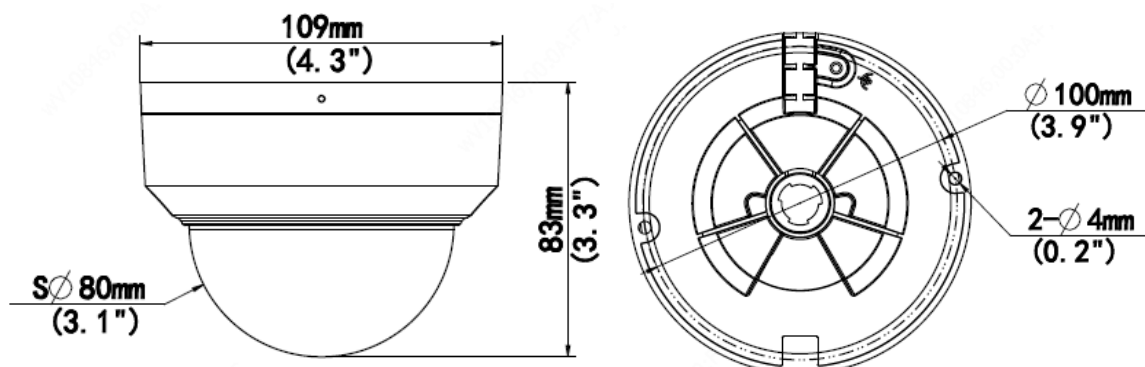
Specifications

	IPC322LB-AF28WK-G				
Camera					
Sensor	1/2.9", progressive scan , 2.0 megapixel, CMOS				
Min. Illumination	Colour: 0.01 lux (F2.0, AGC ON) 0 lux with IR				
Day/Night	IR-cut filter with auto switch (ICR)				
Shutter	Auto/Manual, 1~1/100000 s				
Adjustment angle	Pan: 0°~352°	Tilt: 0°~70°	Rotate: 0°~350°		
S/N	>52dB				
WDR	DWDR				
Lens					
Lens Type	2.8mm @F2.0				
Iris	Fixed				
Field of View (H)	101.1°				
Field of View (V)	55.0°				
Field of View (D)	111.0°				
DORI					
DORI Distance	Lens	Detect(m)	Observe(m)	Recognize(m)	Identify(m)
	2.8mm	45.0	18.0	9.0	4.5
Illuminator					
IR Range	Up to 30m (98 ft) IR range				
Wavelength	850nm				
IR On/Off Control	Auto/Manual				
Video					
Video Compression	Ultra 265, H.265, H.264, MJPEG				
H.264 code profile	Baseline profile, Main profile, High profile				
Frame Rate	Main Stream: 1080P (1920*1080), Max 30fps; 720P (1280*720), Max 30fps; Sub Stream: 720P (1280*720), Max 30fps; D1 (720*576), Max 30fps; 640*360,Max 30fps; 2CIF(704*288), Max 30fps; CIF(352*288), Max 30fps;				
Video Bit Rate	128 Kbps~6 Mbps				
U-code	Support				
OSD	Up to 4 OSDs				
Privacy Mask	Up to 4 areas				
ROI	Up to 8 areas				
Video stream	Dual streams				
Image					
White Balance	Auto/Outdoor/Fine Tune/Sodium Lamp/Locked/Auto2				
Digital noise reduction	2D/3D DNR				
Smart IR	Support				
Flip	Normal/Vertical/Horizontal/180°				
Dewarping	N/A				

HLC	Support
BLC	Support
Defog	Digital Defog
Events	
Basic Detection	Human body detection, Motion detection, tampering alarm, audio detection
General Function	Watermark, IP address filtering, access policy, ARP protection, RTSP authentication, user authentication
Audio	
Audio Compression	G.711U, G.711A
Audio Bitrate	64 Kbps
Two-way Audio	N/A
Suppression	Support
Sampling Rate	8KHZ
Storage	
Edge Storage	Micro SD, up to 128GB
Network Storage	ANR,NAS(NFS)
Network	
Protocols	IPv4, IGMP, ICMP, ARP, TCP, UDP, DHCP, RTP, RTSP, RTCP, RTMP, DNS, DDNS, NTP, FTP, UPnP, HTTP, HTTPS, SMTP, SSL/TLS, SNMP
Compatible Integration	ONVIF (Profile S, Profile G, Profile T), API , SDK
User/Host	Up to 32 users. 2 user levels: administrator and common user
Security	Password protection, Strong password, HTTPS encryption, Export operation logs, Basic and digest authentication for RTSP, Digest authentication for HTTP, TLS 1.2, WSSE and digest authentication for ONVIF
Client	EZStation EZView EZLive
Web Browser	Plug-in required live view: IE 10 and above, Chrome 45 and above, Firefox 52 and above, Edge 79 and above
	Plug-in free live view: Chrome 57.0 and above, Firefox 58.0 and above, Edge 16 and above
Wi-Fi	
Wireless Standards	IEEE802.11b/g/n
Frequency Range	2.4 GHz ~ 2.4835 GHz
Channel Bandwidth	20 MHz Support
Modulation Mode	802.11b: CCK, QPSK, BPSK 802.11g/n: OFDM/HT
Security	64/128-bit WEP, WPA-PSK/WPA2-PSK
Transmit Power	802.11b: 17±1.5dBm @11Mbps 802.11g: 14±1.5dBm @54Mbps 802.11n: 12.5±1.5dBm @150Mbps
Receive Sensitivity	802.11b: -90dBm @11Mbps (Typical) 802.11g: -75dBm @54Mbps (Typical) 802.11n: -74dBm @150Mbps(Typical)
Transmission Rate	802.11b: 11Mbps 802.11g: 54Mbps 802.11n: up to 150Mbps

Interface	
Audio I/O	N/A
Alarm I/O	N/A
RS485	N/A
Built-in Mic	Support
Built-in Speaker	N/A
WIFI	Support
Network	1 * RJ45 10M/100M Base-TX Ethernet
Video Output	N/A
Certification	
EMC	CE-EMC (EN 55032: 2015+A1:2020, EN 61000-3-3: 2013+A1: 2019, EN IEC 61000-3-2: 2019+A1: 2021, EN 55035: 2017+A11:2020) FCC (FCC CFR 47 part15 B, ANSI C63.4-2014)
RF	FCC ID (FCC CFR 47 part15 C) CE RED (EN 62311: 2008, EN 300 328 V2.2.2(2019-07), EN 301489-1 V2.2.3(2019-11), ETSI EN 301 489-17 V3.2.4(2020-09))
Safety	CE LVD (EN 62368-1:2014+A11:2017) CB (IEC 62368-1:2014) UL (UL 62368-1, 2nd Ed., Issue Date: 2014-12-01)
Environment	CE-RoHS (2011/65/EU;(EU)2015/863); WEEE (2012/19/EU); Reach (Regulation (EC) No 1907/2006)
Protection	IP67 (IEC 60529:1989+AMD1:1999+AMD2:2013) IK10 (IEC 62262:2002)
General	
Power	DC 12V±25%
	Power consumption: Max 4.0W
Power Interface	∅ 5.5mm coaxial power plug
Dimensions (∅ x H)	∅109 x 83 mm (∅4.29" x 3.3")
Weight	0.32 kg (0.71 lb)
Material	Metal + Plastic
Working Environment	-30°C ~ +60°C (-22°F ~ 140°F), Humidity:≤95% RH(non-condensing)
Storage Environment	-30°C ~ +60°C (-22°F ~ 140°F), Humidity:≤95% RH(non-condensing)
Surge Protection	4KV
Reset Button	Support

Dimensions



Accessories

TR-JB03-G-IN

Junction Box



TR-UP06-IN

Pole Mount



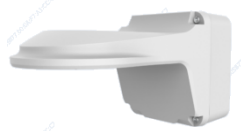
TR-CM24-IN

Pendant Mount



TR-JB07/WM03-G-IN

Wall Mount



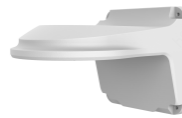
TR-A01-IN

Waterproof Joint



TR-WM03-D-IN

Wall Mount



TR-SE24-IN

Pendant Mount



TR-UM06-E-IN

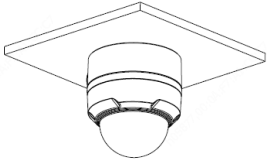
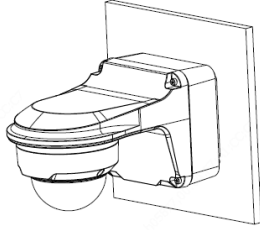
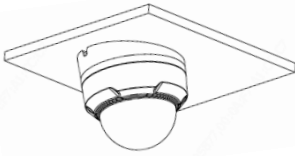
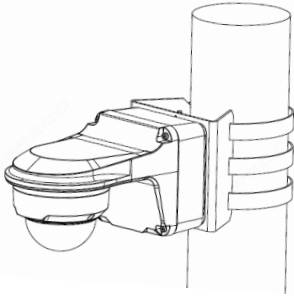
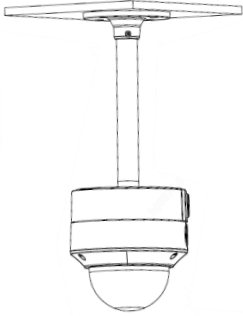
cline Ceiling Mount



TR-SE24-A-IN

Pendant Mount



Junction Mount	Pole Mount
<p>TR-JB03-G-IN</p> 	<p>TR-JB07/WM03-G-IN</p> 
<p>TR-UM06-E-IN</p> 	<p>TR-JB07/WM03-G-IN+TR-UP06-IN</p> 
<p>TR-CM24-IN+TR-JB03-G-IN</p> 	

Zhejiang Uniview Technologies Co., Ltd.

Building No.10, Wanlun Science Park, Jiangling Road 88, Binjiang District, Hangzhou, Zhejiang, China

Email: overseasbusiness@uniview.com; globalsupport@uniview.com

<http://www.uniview.com>

©2020 Zhejiang Uniview Technologies Co.,Ltd. All rights reserved.

*Product specifications and availability are subject to change without notice.